

# Stainless Steel Gate Valve for Cryogenic Service

## 110 Series

### Application

RegO Goddard gate valves are designed for handling of cryogenic liquids through bulk tanks, trucks, trailers, ASU plants and piping configurations. Compatible with Oxygen, Nitrogen, CO<sub>2</sub>, Argon and LNG.

### Features

- Top Entry: This valve can be permanently installed in the line and serviced from the top
- Soft Seated: PCTFE Seat provides a bubble-tight seal and is replaceable
- Construction: Body and Bonnet ASTM A351-CF8 J92600 Stainless steel
- Sizes: ½" - 6" (15mm - 150mm)
- Ends: RF Flange, Butt Weld, Socket Weld, Threaded (FNPT)
- Service: Liquefied and vaporized atmospheric gases, LNG
- WHZ valves with Grafoil® stem packing available
- Temperature Rating: -320°F - 150°F (-196°C +65°C)
- 100% Factory Tested
- Clean for use in Oxygen per CGA G-4.1
- PED Approved
- Pressure Rating: (Cold, Non-shock)  
Class 150 valve - 275 psig (19 barg)  
Class 300 valve - 720 psig (50 barg)



**110 Series**

### Ordering Information Stainless Body • RF Flange Ends

150# Part Number	300# Part Number	Valve Size		Ends	Weight 150#		Weight 300#		Estimated C <sub>v</sub>
		Inches	MM		Lbs.	Kg	Lbs.	Kg.	
GS-00110W-8F	-	1"	25 mm	Flange	15	6.80	-	-	30.00
GS-00110W-12F	GS-00110W-12F3	1½"	40 mm		35	15.88	45	20.41	85.00
GS-00110W-16F	GS-00110W-16F3	2"	50 mm		35	15.88	50	22.68	100.00
GS-00110W-24F	GS-00110W-24F3	3"	80 mm		65	29.48	85	35.56	310.00
GS-00110W-32F	GS-00110W-32F3	4"	100 mm		90	40.82	120	54.43	700.00
GS-00110W-48F	GS-00110W-48F3	6"	150 mm		150	68.04	200	90.72	850.00

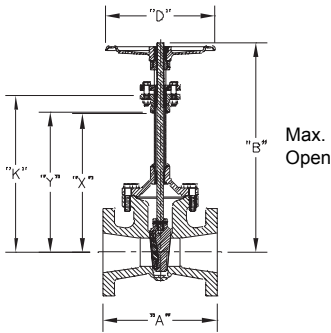
150# ANSI Class (275 psig Cold Working Pressure) 300# ANSI Class (720 psig Cold Working Pressure)

### Ordering Information Stainless Body • Butt Weld, Socket Weld, Threaded Ends

150# Part Number	300# Part Number	Valve Size		Ends	Weight		Estimated C <sub>v</sub>
		Inches	MM		Lbs.	Kg.	
GS-00110W-4WA	-	½"	15 mm	Butt Weld SCH10	10	4.54	7.00
GS-00110W-4S3	GS-00110W-4S3			Socket Weld	15	6.80	
GS-00110W-4T	-			Threaded	10	4.54	
GS-00110W-6WA	-	¾"	20 mm	Butt Weld SCH10	15	6.80	23.00
GS-00110W-6S3	GS-00110W-6S3			Socket Weld			23.00
GS-00110W-8WA	-			Butt Weld SCH10			10
GS-00110W-8S3	GS-00110W-8S3	1"	25 mm	Socket Weld	15	6.80	30.00
GS-110W-8T	-			Threaded	10	4.54	
GS-00110W-12WA	-			Butt Weld SCH10	30	13.61	
GS-00110W-12S3	GS-00110W-12S3	1½"	40 mm	Socket Weld	35	15.88	85.00
GS-00110W-16W3A	GS-00110W-16W3A			Butt Weld SCH10			
GS-00110W-16W3J	GS-00110W-16W3J			Butt Weld SCH40			
GS-00110W-16S	-	2"	50 mm	Socket Weld	30	13.61	100.00
GS-00110W-24W3A	GS-00110W-24W3A			Butt Weld SCH10	65	29.48	
GS-00110W-24W3J	GS-00110W-24W3J			Butt Weld SCH40			
GS-00110W-32W3A	GS-00110W-32W3A	3"	80 mm	Butt Weld SCH10	80	40.82	700.00
GS-00110W-32W3J	GS-00110W-32W3J			Butt Weld SCH40			
GS-00110W-48WA	GS-00110W-48W3A			Butt Weld SCH10			
GS-00110W-48W3J	GS-00110W-48W3J	Butt Weld SCH40					

150# ANSI Class (275 psig Cold Working Pressure) 300# ANSI Class (720 psig Cold Working Pressure)\* Second number indicates valve for 300# part number. Service: 300#-720 psig Non-shock Cold • Service: 150#-275 psig Non-shock Cold • Temperature Rating +150°F - 325°F • Mounting plate option available

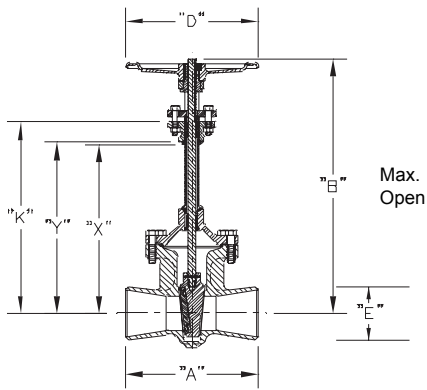
# Stainless Steel Gate Valve for Cryogenic Service 110 Series



## Raised Face Flange Ends\*

Size	"A" 150#	"A" 300#	"B"	"D"	"K"	"X"	"Y"
1"	4 $\frac{1}{8}$ "	N/A	17 $\frac{3}{4}$ "	4 $\frac{1}{2}$ "	12 $\frac{3}{4}$ "	11 $\frac{1}{16}$ "	11 $\frac{3}{8}$ "
1 $\frac{1}{2}$ "	4 $\frac{9}{16}$ "	6 $\frac{1}{8}$ "*	21 $\frac{1}{8}$ "	7"	14"	12 $\frac{5}{16}$ "	12 $\frac{5}{8}$ "
2"	7"	7 $\frac{1}{4}$ "*	21 $\frac{1}{8}$ "	7"	14"	12 $\frac{5}{16}$ "	12 $\frac{5}{8}$ "
3"	8"	8 $\frac{3}{4}$ "*	31 $\frac{1}{2}$ "	12"	20"	17 $\frac{3}{4}$ "	18 $\frac{1}{16}$ "
4"	9"	12"	33 $\frac{3}{4}$ "	12"	21 $\frac{1}{2}$ "	19 $\frac{1}{4}$ "	19 $\frac{9}{16}$ "
6"	10 $\frac{1}{2}$ "	15 $\frac{7}{8}$ "	41 $\frac{1}{2}$ "	16"	26"	23 $\frac{9}{16}$ "	23 $\frac{7}{8}$ "

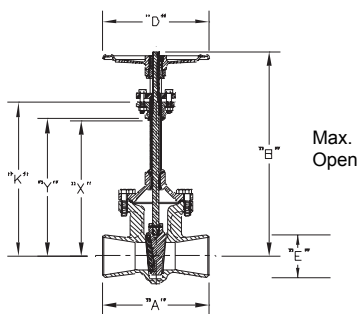
\*Face-to-face dimensions (A) are Goddard standard not to ANSI standard.  
 • Special B, K, X and Y Dimensions Available



## Socket Weld Ends

Size	"A" 150#	"A" 300#	"B"	"D"	"E"	"F"	"K"	"X"	"Y"
1/2"	3 $\frac{3}{4}$ "	3 $\frac{3}{4}$ "	17 $\frac{3}{4}$ "	4 $\frac{1}{2}$ "	.855	3/8"	12 $\frac{3}{4}$ "	11 $\frac{1}{16}$ "	11 $\frac{3}{8}$ "
3/4"					1.065	1/2"			
1"	3 $\frac{1}{2}$ "	4"	21 $\frac{1}{8}$ "	7"	1.330		14"	12 $\frac{5}{16}$ "	12 $\frac{5}{8}$ "
1 $\frac{1}{2}$ "	4 $\frac{9}{16}$ "	5"			1.915				
2"	8 $\frac{1}{2}$ "	N/A	41 $\frac{1}{2}$ "	16"	2.406	5/8"	23 $\frac{9}{16}$ "	23 $\frac{7}{8}$ "	

• Special B, K, X and Y Dimensions Available



## Butt Weld Ends

Size	"A" 150#	"A" 300#	"B"	"D"	"K"	"X"	"Y"
1/2"	4 $\frac{1}{4}$ "	N/A	17 $\frac{3}{4}$ "	4 $\frac{1}{2}$ "	12 $\frac{3}{4}$ "	11 $\frac{1}{16}$ "	11 $\frac{3}{8}$ "
3/4"	4 $\frac{9}{16}$ "	N/A	17 $\frac{3}{4}$ "	4 $\frac{1}{2}$ "	12 $\frac{3}{4}$ "	11 $\frac{1}{16}$ "	11 $\frac{3}{8}$ "
1"	5"	N/A	17 $\frac{3}{4}$ "	4 $\frac{1}{2}$ "	12 $\frac{3}{4}$ "	11 $\frac{1}{16}$ "	11 $\frac{3}{8}$ "
1 $\frac{1}{2}$ "	6"	6"	21 $\frac{1}{8}$ "	7"	14"	12 $\frac{5}{16}$ "	12 $\frac{5}{8}$ "
2"	8 $\frac{1}{2}$ "	8 $\frac{1}{2}$ "	21 $\frac{1}{8}$ "	7"	14"	12 $\frac{5}{16}$ "	12 $\frac{5}{8}$ "
3"	11 $\frac{1}{8}$ "	11 $\frac{1}{8}$ "	31 $\frac{1}{2}$ "	12"	20"	17 $\frac{3}{4}$ "	18 $\frac{1}{16}$ "
4"	12"	12"	33 $\frac{3}{4}$ "	12"	21 $\frac{1}{2}$ "	19 $\frac{1}{4}$ "	19 $\frac{9}{16}$ "
6"	15 $\frac{7}{8}$ "	15 $\frac{7}{8}$ "	41 $\frac{1}{2}$ "	16"	26"	23 $\frac{9}{16}$ "	23 $\frac{7}{8}$ "

• Special B, K, X and Y Dimensions Available  
 • Unless otherwise specified, Schedule 10 weld ends are supplied