

RegO® LNG Check Valves NG304 Series

Application

For use with LNG fuel lines as an effective one-way shut-off utilizing soft seated design for quick acting response to flow. Poppet design is ideal for LNG and resistant to particulates.

Features

NG304

- Materials selected specifically for compatibility with LNG.
- Maximum inlet pressure 1000 psig (69 barg).
- 100% factory tested.
- Temperature Range: -320° F to 165°F (-196°C to 74°C).
- Designed in accordance with & approved by ECE R110.

Materials for NG304

Body Brass ASTM B16 C36000
 Spring Stainless Steel 302 ASTM A313
 Gasket Copper ASTM B152 UNS C11000
 Poppet Brass ASTM B16 UNS C36000
 Seat Disc PTFE Virgin Teflon

Materials NG304SS

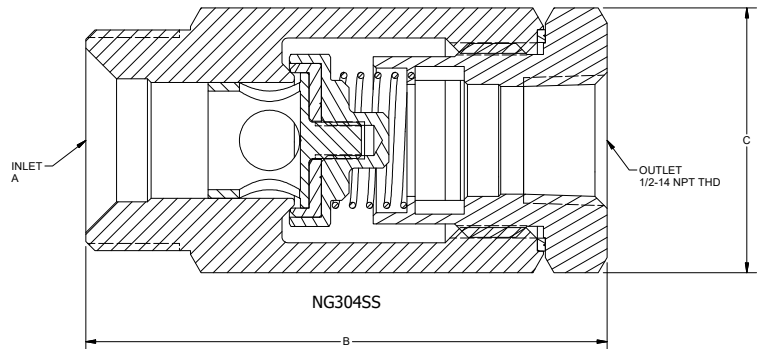
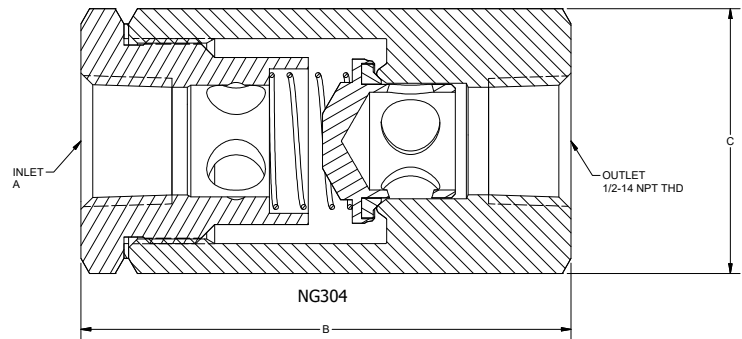
Body Stainless Steel 304 ASTM276
 Spring Stainless Steel 302 ASTM A313
 Gasket Copper ASTM B152 UNS C11000
 Poppet Brass 360 FC (UNS C36000 PER ASTM B16)
 Seat Disc UHMWPE (ASTM D4020)



NG304



NG304SSA



Ordering Information

Part Number	Body Material	Connection (A)	B	C	Weight Lbs	Silver Plated End Piece
NG304	Brass	Threaded FNPT F ½	3.135	1.5 (Hex)	1.25	N/A
NG304SSA	Stainless Steel	M36x2 Male	3.346		1.10	
NG304SSB		M30x1.5 Male	3.346			
NG304SSC		½"-14 NPT Female	2.953			
NG304SSAP		M36x2 Male	3.346			
NG304SSBP		M30x1.5 Male	3.346			
NG304SSCP		½"-14 NPT Female	2.953			
						Yes