

Noise Reduction Relief Valve NR Series

Application

Designed especially for indoor applications such as laboratories where relief valve discharge noise is an issue. RegO's NR series PRV provides excellent flow characteristics with a 50% reduction in outlet noise related to relief valve.

Features

- Packaged and cleaned for oxygen service per CGA G-4.1
- Bubble tight at 95% of set pressure
- Temperature range -320°F to +165°F (-196° to +74 C°)
- 100% factory tested
- Repeatable Performance
- Below 90db@ 350 Set Pressure @ 2 meters away
- In liquid service be sure to use with a candy cane riser (Sold Separately)

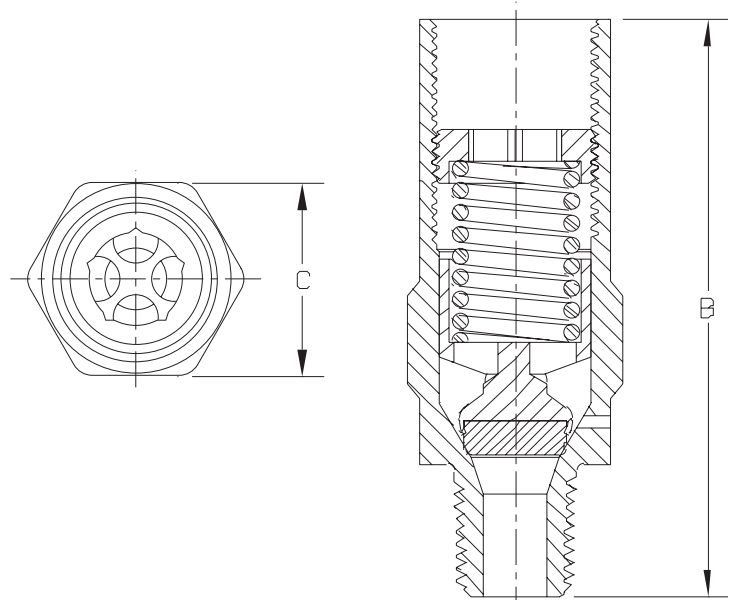
Materials

Body Brass
 Spring Stainless Steel
 Gasket PTFE



NR Series

WARNING: Inspection and maintenance of pressure relief valves is very important. Failure to properly inspect and maintain pressure relief valves could result in personal injuries or property damage. The useful safe service life of a pressure relief valve may be significantly affected by the service environment.



Ordering Information

Part Number	Seat Material	Inlet Connections (M.NPT) Inches (mm)	"B" Inches (mm)	"C" Inches (mm)	Orifice Size Inches (mm)	Factory Pressure Setting		Pipe-Away Adapter
						psig	barg	
NR9432F022	Fluorosilicone					22	1.51	B-9412-2
NR9432F050						50	3.44	
NR9432F100						100	6.89	
NR9432T230	PTFE	¼" (6.35)	2.60" (66.04)	⅞" (22.35)	.062 (1.57)	230	15.85	
NR9432T250						250	17.23	
NR9432T300						300	20.68	
NR9432T350						350	24.13	
NR9432T360						360	24.82	