

Aluminum Pressure Regulators

1682M Series & C-1682M Series

Application

The 1682M Series Regulators are designed primarily for second stage regulation of a variety of gases in industrial and hospital piping systems and manifolds. The C-1682M Series is specifically designed for use with Carbon Dioxide.

Features

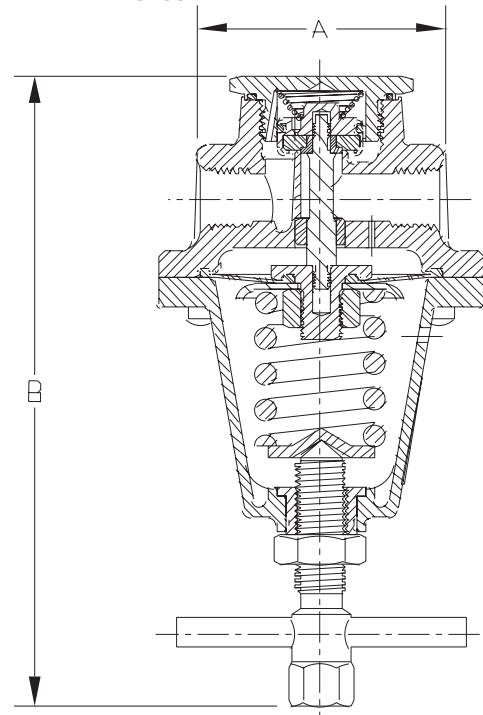
- Maximum inlet pressure is 400 psig (28 barg)
- Two 1/4" F.NPT gauge ports are located 180° apart to allow for gauge mounting in convenient positions
- Each 1680M Series regulator is cleaned and packaged for oxygen per CGA G-4.1
- 100% Factory Tested
- T-handle adjusting screw
- Available in three delivery pressure ranges
- Temperature Range: -40° F to +165°F (-40°C to +74°C)

Materials

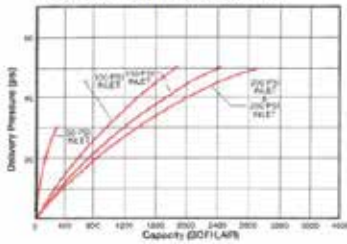
Body Forged Aluminum
 Bonnet Aluminum
 Seat Disc (1682M) Neoprene
 Seat Disc (C-1682M) EPDM
 Diaphragm (1682M) Neoprene
 Diaphragm (C-1682M) EPDM



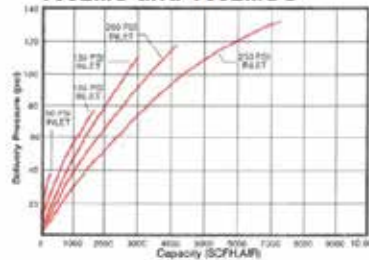
C-1682M



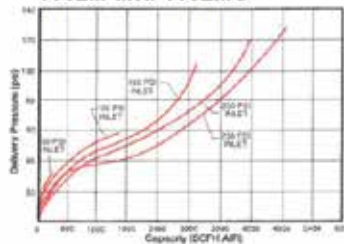
1682ML and 1682MLG



1682MS and 1682MSG



1682M and 1682MG



Ordering Information

Part Number		Delivery Pressure Range (psig)	Pressure Gauge		Inlet & Outlet Connection (F.NPT)		Width A		Maximum Height B	
			Range psig (barg)	Part Number	Inches	mm	Inches	mm	Inches	mm
1682ML	C-1682ML	5-50 psig (0.3-3.4 barg)	*	*	1/4"	6	2 ³ / ₁₆ "	56	4 1/8"	105
1682MLG	C-1682MLG		1-100 (6.89)	1286						
1682M	C-1682M		*	*						
1682MG	C-1682MG	50-125 psig (3.4-8.6 barg)	1-200 (13.78)	S1679	1/4"	6	2 ³ / ₁₆ "	56	4 1/8"	105
1682MS	C-1682MS		*	*						
1682MSG	C-1682MSG	100-250 psig (6.9-17.2 barg)	1-400 (27.57)	15578	1/4"	6	2 ³ / ₁₆ "	56	4 1/8"	105

* Pressure gauge not included.