

# Service Valves for ASME and DOT Containers or Vapor Fuel Line Applications 901C1, 9101C, 9101D, 9101R and PT9102 Series

## Application

Designed for vapor withdrawal service on ASME and DOT containers or in fuel line applications. Since none of these valves have an integral pressure relief valve, they may only be used as an accessory valve on containers that have an independent pressure relief valve sufficient for that container's capacity.

## Features

- O-Ring stem seal design provides positive seal.
- Metal-to-metal back seat provides added protection against leakage while the valve is open.
- Valves with fixed liquid level gauges permit operator to quickly determine when the maximum permitted filling level of the container is reached.
- 9101R Series with MultiBonnet® assembly allows quick and easy repair of bonnet.
- PT9102R Series **With the service valve closed the pressure test/Presto-Tap® port is isolated from the container.** This will allow a high pressure leak test to be conducted without disconnecting the pigtail from the service valve. For more information, see page C13 on this feature

## Materials

Body ..... Forged Brass  
 Handwheel..... Aluminum Die Cast  
 Stem ..... Brass  
 O-Rings ..... Resilient Synthetic Rubber  
 Seat Disc ..... Nylon



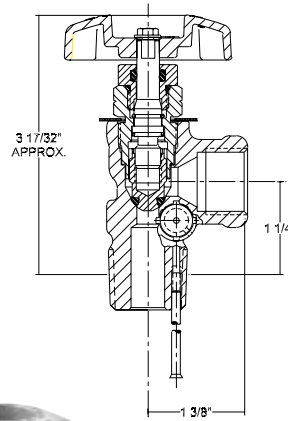
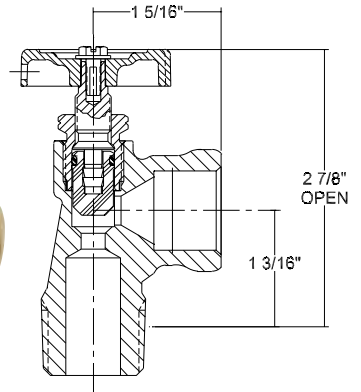
**PT9102**



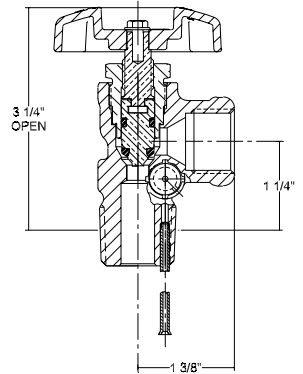
**9101D**



**901C1**



**9101R1**



## Ordering Information

Part Number	Bonnet Style	Container Connection	Service Connection	Fixed Liquid Level Vent Valve	Approximate Filling Rate Liquid Flow, GPM				Ready To Go™		
					Pressure Drop Across Valve						
					10 PSIG	25 PSIG	50 PSIG	100 PSIG			
<b>901C1</b>	Standard	3/4" M. NGT	F. POL CGA 510	No	5.3	8.2	10.8	14.2	NA		
<b>9101C1</b>				No	8.8	12.4	15.8	21.7			
<b>*9101D11.1</b>				Yes	8.6	12.7	16.3	22.3			
<b>*9101D11.7</b>				Yes	8.6	12.7	16.3	22.3			
<b>9101R1</b>	MultiBonnet® assembly			3/4" M. NGT	F. POL CGA 510	No	7.6	11.7	15.2	20.6	No
<b>*9101R11.1</b>						Yes					No
<b>*9101R11.7</b>						Yes					Plugged
<b>9102R11.1</b>						No					Yes
<b>9102R11.7</b>		Yes									
<b>*PT9102R1</b>		Yes									
<b>*PT9102R11.1</b>		Yes	Yes								
<b>*PT9102R11.7</b>	Yes	Yes									

\* 72 Orifice low emission version is also available.

Note: Since these valves have no integral pressure relief valve, they can be used on any container with an independent relief device sufficient for that tank's capacity.