

New 2" ACME Low Emission Hose End Valve for Loading Bobtails and Transports A7914A

Application

The A7914A Low Emission valve is designed to reduce the amount of product vented when disconnecting bobtail and transport loading hoses. This valve provides a full-on flow when pressing the release trigger and the lifting of an easy grip handle. Lowering the handle will immediately stop flow and lock the lever in the closed position. This valve can be used with any standard 3/4" Male ACME connector, or our 6588LE and 6589LE minimum loss filler valves.

Features

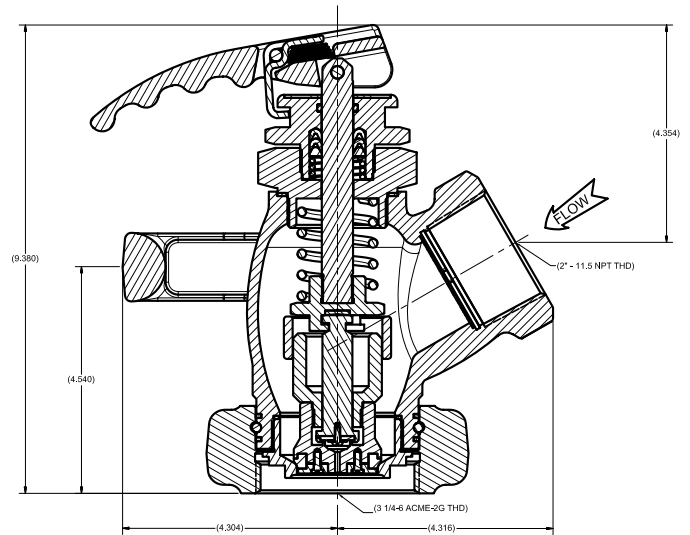
- Minimizes product discharge at disconnect.
- Vents **less than 2 cc of liquid** when disconnected.
- **California CARB Compliant for fugitive emissions.**
- Contoured handle rotates 360° and has a large easy to turn ACME swivel connector.
- Self-locking handle is operator opened and closed, designed to prevent accidental opening of the valve.
- Bypass mechanism in the seat area allows the upstream pressure to quickly equalize when the handle is partially moved to the open position.
- Protective screen on inlet side prevents debris from entering.
- Spring-loaded Teflon "V" packing for bonnet/stem assembly provides long service life.

Materials

Body Ductile Iron
 "V" -Rings..... Teflon
 Stem Stainless Steel
 Acme Connector..... Plated Ductile Iron
 Seal Housing Stainless Steel
 Bonnet Plated Steel
 Lever..... Stainless Steel
 Seat Disc Synthetic Rubber



A7914A



Ordering Information

Part Number	Inlet Connection	Outlet Connection	Locking Handle	Flow at (Cv) Pressure Drop GPM Propane	
				1 PSIG	10 PSIG
A7914A	2" F.NPT	3/4" F.Acme	Yes	55	174

*To obtain approximate flow at other than 1 PSIG drop, multiply flow in table by square root of pressure drop. Example A7914 @ 9PSIG drop = 55 X √9 = 165 GPM /propane