

ACME Hose Couplings for Liquid or Vapor Service with Integral Screen 3195S and A3195S

Application

The 3195S/A3195S Hose Couplings are designed to prevent debris from entering and impeding the action of valves and components in LPG piping systems at bulk and industrial plants.



3195S



Features

- Meets NFPA 58 requirements for liquid transfer.
- Stainless steel screen installed in the tail piece of the hose coupling.

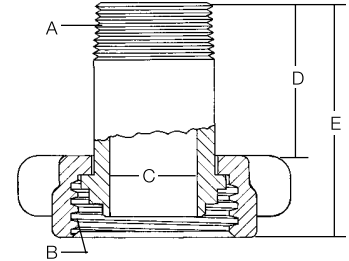
Materials

A3195

BodyDuctile iron Nut & Cadmium-Plated Nipple

A3195S

BodyDuctile iron Nut & Cadmium-Plated Nipple
Strainer300 Series Stainless Steel



**Style B
For Liquid Filling**

Ordering Information

Part Number	Material	Style	A. Hose Connection (M. NPT)	B. Coupling Connection (F. ACME)	C. Tailpiece Bore	D. Hose End To Nut	E. Overall Length
3195S	Brass Nut & Steel Nipple	B	2"	3/4"	1 1/8"	2 1/4"	3 3/8"
A3195S	Steel						

3/4" M.ACME X 2" M.NPT Adapter with Vent Valve & Integral Screen 5769HVB

Application

Designed to prevent debris from impeding the action of valves and components of LPG piping systems at bulk plants and industrial plants.



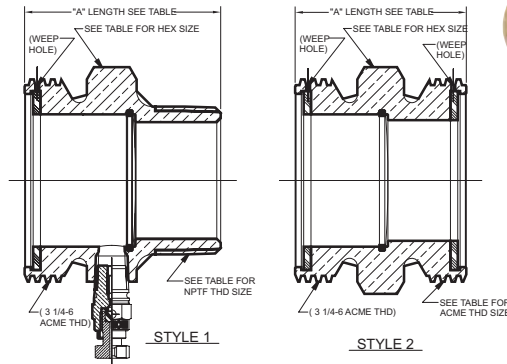
5769HVB

Features

- Meets NFPA 58 requirements for liquid transfer
- Stainless steel screen
- Vent valve available in brass or stainless steel

Materials

Body Brass
Screen Stainless Steel
Gasket Resilient Rubber



Ordering Information

Part Number	Style	Gasket Qty	Vent Valve	Hex Size	Thread	"A" Length
5769H	1	1	-	3/4"	2" M.NPT	2.875
5769K			3165CBT	3 1/2"	3" M.NPT	3.625
5769KVB	2	2	-	3/4"	3 1/4" ACME	2.750
5769M			3165CBT		2"	3.150
5769HVB			TSS3169		2"	3.150
5768HVSS	1	1				