

# High Pressure Industrial / Commercial Pounds-to-Pounds Regulators

## 1580V™ and AA1580V™ Series

### Application

Designed to reduce LP-Gas and anhydrous ammonia container pressures to between 3 and 125 PSIG. Precision-built with a multi-million BTU capacity, the 1580V™ series is perfect for such big, tough jobs as crop dryers, asphalt batch mixing plants, road building "tar wagons", heat treating and other large industrial and commercial loads. It's also ideal as a first stage regulator in large multiple operations. The AA1580V™ series is ideal for use in anhydrous ammonia applications such as blue print machines and heat treating.



### Features

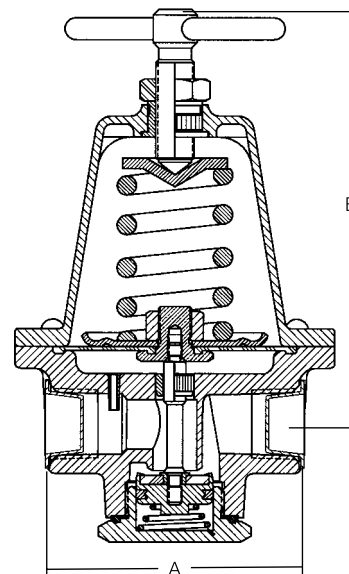
- Large nozzle and straight through flow provides high capacity and resistance to freeze-up.
- O-ring on retainer assembly provides a dampening effect to reduce vibration.
- Suitable for both liquid and vapor service.
- Can be readily fitted with pressure gauge in 1/4" F. NPT port.

### Materials

Body ..... Forged Aluminum  
 Bonnet ..... Die Cast Aluminum  
 Spring ..... Steel  
 Valve Seat Discs ..... Resilient Rubber  
 Diaphragms ..... Integrated Fabric and Synthetic Rubber



1580V™



### Ordering Information

Part Number	Service	Adjustment Method	Inlet & Outlet Connections	Recommended Delivery Pressure Range (PSIG)	A Width	B Height (max.)	Capacity Determined at Set Pressure of PSIG*	Capacity**
1584VN	LP-Gas	Tee Handle	1/2" F. NPT	3-30	2 15/16"	4 7/8"	20	7,000,000 BTU/hr. LPG
1584VL				25-50			30	10,000,000 BTU/hr. LPG
1584VH				45-125			60	10,000,000 BTU/hr. LPG
AA1584VW				3-25			20	4,500 CFH NH <sub>3</sub>
AA1584VL	NH <sub>3</sub>		20-50	30	4,800 CFH NH <sub>3</sub>			
AA1584VH			45-125	60	5,100 CFH NH <sub>3</sub>			
1586VN			LP-Gas	3/4" F. NPT	3-30	3 1/2"	7"	20
1586VL	25-50				30			14,000,000 BTU/hr. LPG
1586VH	45-125				60			14,000,000 BTU/hr. LPG
AA1586VW	3-25				20			7,700 CFH NH <sub>3</sub>
AA1586VL	NH <sub>3</sub>		20-50	30	8,900 CFH NH <sub>3</sub>			
AA1586VH			45-125	60	8,900 CFH NH <sub>3</sub>			
1588VN		LP-Gas	1" F. NPT	3-30	3 1/2"	7"	20	7,500,000 BTU/hr. LPG
1588VL	25-50			30			14,000,000 BTU/hr. LPG	
1588VH	45-125			60			14,000,000 BTU/hr. LPG	

\* Set pressure is established with 100 PSIG inlet pressure and a flow of 500,000 BTU/hr. propane for 1580V™ Series, and 180 CFH. NH<sub>3</sub> for AA1584V™ and AA1586V™ Series.

\*\* Capacity determined at 100 PSIG inlet, set pressure noted on chart at 20% drop.

NOTE: Care must be taken to prevent re-liquefaction of propane at normal temperatures by heat tracing or other effective means. Use of a relief valve upstream or downstream of these regulators is recommended in accordance with NFPA 58.

1584VN, 1584VL, 1584VH, AA1584VW, AA1584VL, AA1584VH, 586VN, 1586VL, 1586VH, AA1586VW, AA1586VL, AA1586VH, 1588VN, 1588VL, and 1588VH are Trademarks of ECI LLC.