

High Pressure First Stage Regulators LV4403SR and TR Series

Application

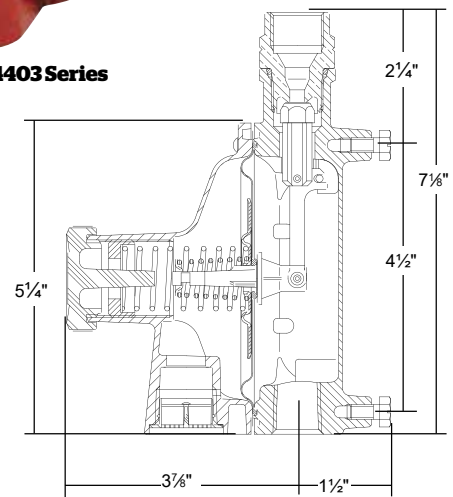
Provides accurate first stage regulation in two-stage bulk tank systems. Reduce tank pressure to an intermediate pressure of 5 to 10 PSIG. Also used to supply high pressure burners for applications like industrial furnaces or boilers. Also incorporated in multiple cylinder installations.

Features

- Incorporate integral relief valves for added system protection.
- Large vent helps prevent blockage and has 3/4" F.NPT thread for vent piping.
- Bonnet vent positioned over outlet to avoid icing and contamination by foreign material.
- Unique bonnet vent profile designed to minimize vent freeze over when properly installed.
- Replaceable valve orifice and valve seat disc.
- Straight-line valve closure reduces wear on seat disc.
- Large molded diaphragm is extra sensitive to pressure changes.
- Built in pressure tap has plugged 1/8" F.NPT outlet.
- Plug can be removed with a 3/16" hex allen wrench.
- Extra long lever arm provides uniform delivery pressure.
- Brilliant red finish.



LV4403 Series

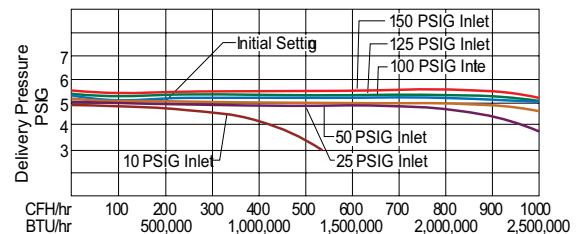


Materials

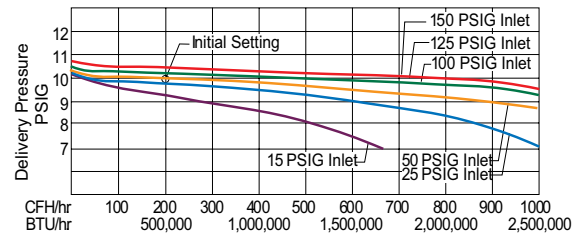
Body Die Cast Zinc
 Bonnet Die Cast Zinc
 Nozzle Orifice Brass
 Spring Steel
 Valve Seat Disc Resilient Rubber
 Diaphragm Integrated Fabric and Synthetic Rubber



LV4403SR



LV4403TR



Ordering Information

Part Number	Inlet Connection	Outlet Connection	Orifice Size	Factory Delivery Pressure		Adjustment Range*		Integral Relief Included	Vapor Capacity BTU/hr Propane**
				psig	barg	psig	barg		
LV4403SR4	1/2" F. NPT	1/2" F. NPT	1/4"	5	0.34	1-5	0.07-0.34	Yes	2,500,000
LV4403TR4				10	0.69	5-10	0.34-0.69		
LV4403SR9	F. POL			5	0.34	1-5	0.07-0.34		
LV4403TR9				10	0.69	5-10	0.34-0.69		
LV4403SR96	3/4" F.NPT	3/4" F.NPT		5	0.34	1-5	0.07-0.34		
LV4403TR96				10	0.69	5-10	0.34-0.69		

* When used for final stage pressure control, must either incorporate integral relief valve or separate relief valve should be specified in accordance with NFPA Pamphlet 58.

** Maximum flow based on inlet pressure 20 PSIG higher than the regulator setting and delivery pressure 20% lower than the setting.